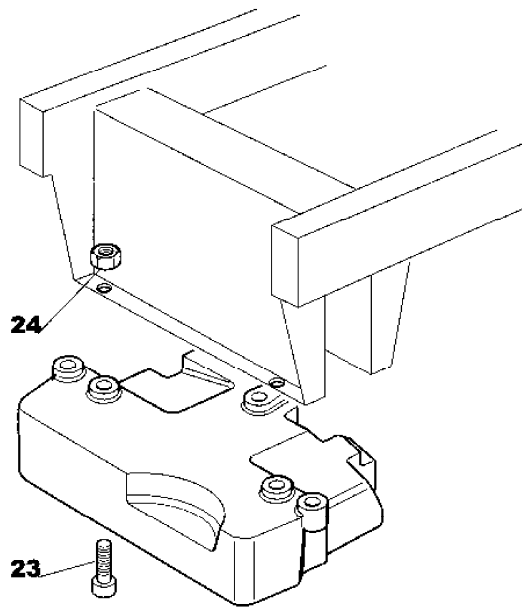
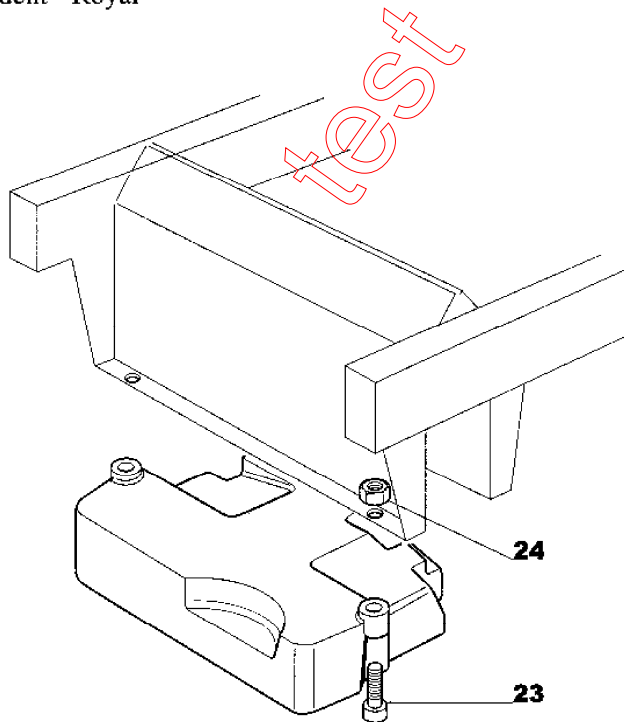


Estate Master



Estate Senator - President - Royal



Section: FRONT WEIGHT ART.NO 13-0912-11

Pos.	Quantity	Spare part No	Description	Kit	Notes	New
	0912					
23	3	9939-0850-12	Screw			
24	3	9747-0831-02	Lock nut			

test